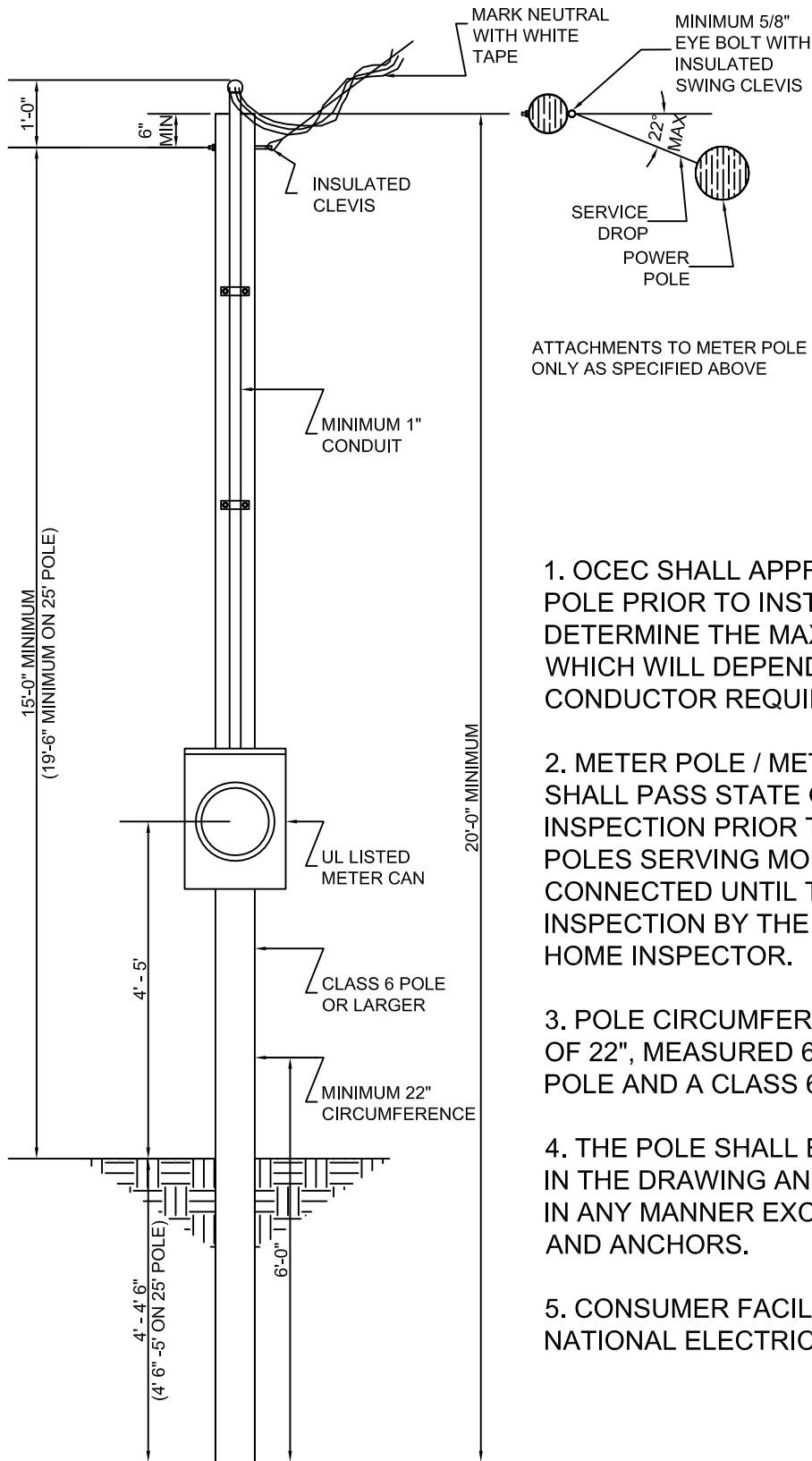


OTERO COUNTY ELECTRIC COOPERATIVE METER POLE SPEC SHEET

METER POLE SHALL NOT BE INSTALLED WITHIN 15' OF CENTERLINE OF OCEC POWER LINES OR EQUIPMENT



ATTACHMENTS TO METER POLE ONLY AS SPECIFIED ABOVE

1. OCEC SHALL APPROVE LOCATION OF METER POLE PRIOR TO INSTALLATION. OCEC SHALL DETERMINE THE MAXIMUM SERVICE DISTANCE, WHICH WILL DEPEND ON CLEARANCE, CONDUCTOR REQUIREMENTS AND LOAD.
2. METER POLE / METER LOOP INSTALLATION SHALL PASS STATE OR LOCAL ELECTRICAL INSPECTION PRIOR TO CONNECTION. METER POLES SERVING MOBILE HOMES WILL NOT BE CONNECTED UNTIL THE MOBILE HOME PASSES INSPECTION BY THE STATE OR LOCAL MOBILE HOME INSPECTOR.
3. POLE CIRCUMFERENCE SHALL BE A MINIMUM OF 22", MEASURED 6' FROM THE BUTT OF THE POLE AND A CLASS 6 POLE OR LARGER.
4. THE POLE SHALL BE SET TO DEPTH SHOWN IN THE DRAWING AND SHALL NOT BE BRACED IN ANY MANNER EXCEPT OCEC APPROVED GUY AND ANCHORS.
5. CONSUMER FACILITIES SHALL COMPLY WITH NATIONAL ELECTRIC CODE.

OVERHEAD PERMANENT/TEMPORARY SINGLE-PHASE OR
TEMPORARY THREE-PHASE SERVICE POLE

OTERO COUNTY ELECTRIC COOPERATIVE URD METER POLE SPEC SHEET

METER POLE SHALL NOT BE INSTALLED WITHIN 15' OF
CENTERLINE OF OCEC POWER LINES OR EQUIPMENT

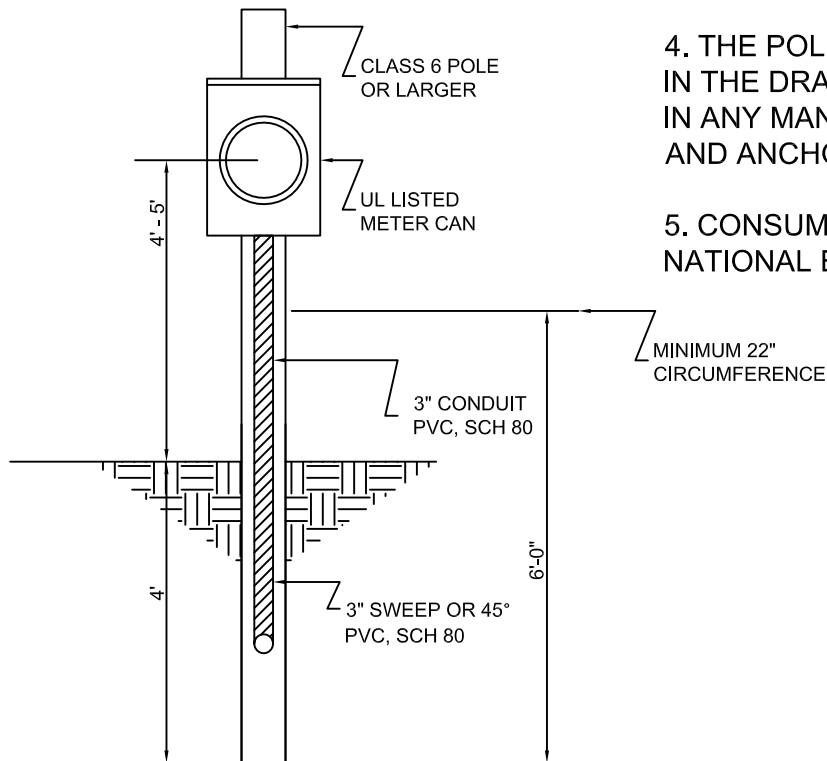
1. OCEC SHALL APPROVE LOCATION OF METER POLE PRIOR TO INSTALLATION. OCEC SHALL DETERMINE THE MAXIMUM SERVICE DISTANCE, WHICH WILL DEPEND ON CLEARANCE, CONDUCTOR REQUIREMENTS AND LOAD.

2. METER POLE / METER LOOP INSTALLATION SHALL PASS STATE OR LOCAL ELECTRICAL INSPECTION PRIOR TO CONNECTION. METER POLES SERVING MOBILE HOMES WILL NOT BE CONNECTED UNTIL THE MOBILE HOME PASSES INSPECTION BY THE STATE OR LOCAL MOBILE HOME INSPECTOR.

3. POLE CIRCUMFERENCE SHALL BE A MINIMUM OF 22", MEASURED 6' FROM THE BUTT OF THE POLE AND A CLASS 6 POLE OR LARGER. POLE MUST BE TREATED.

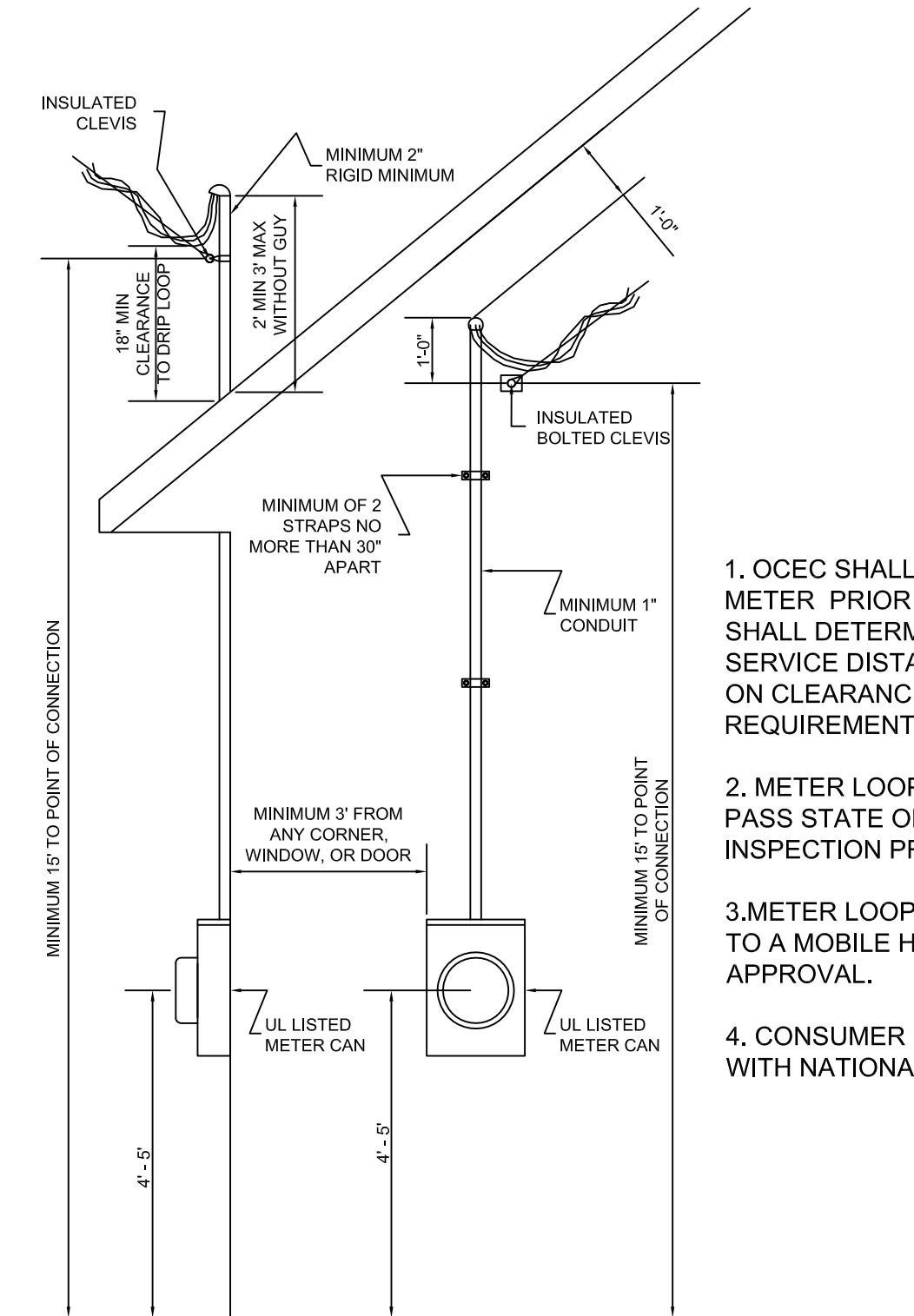
4. THE POLE SHALL BE SET TO DEPTH SHOWN IN THE DRAWING AND SHALL NOT BE BRACED IN ANY MANNER EXCEPT OCEC APPROVED GUY AND ANCHORS.

5. CONSUMER FACILITIES SHALL COMPLY WITH NATIONAL ELECTRIC CODE.



UNDERGROUND PERMANENT/TEMPORARY SINGLE-PHASE OR
TEMPORARY THREE-PHASE SERVICE POLE

OTERO COUNTY ELECTRIC COOPERATIVE
METER ON BUILDING SPEC SHEET



1. OCEC SHALL APPROVE LOCATION OF METER PRIOR TO INSTALLATION. OCEC SHALL DETERMINE THE MAXIMUM SERVICE DISTANCE, WHICH WILL DEPEND ON CLEARANCE, CONDUCTOR REQUIREMENTS AND LOAD.

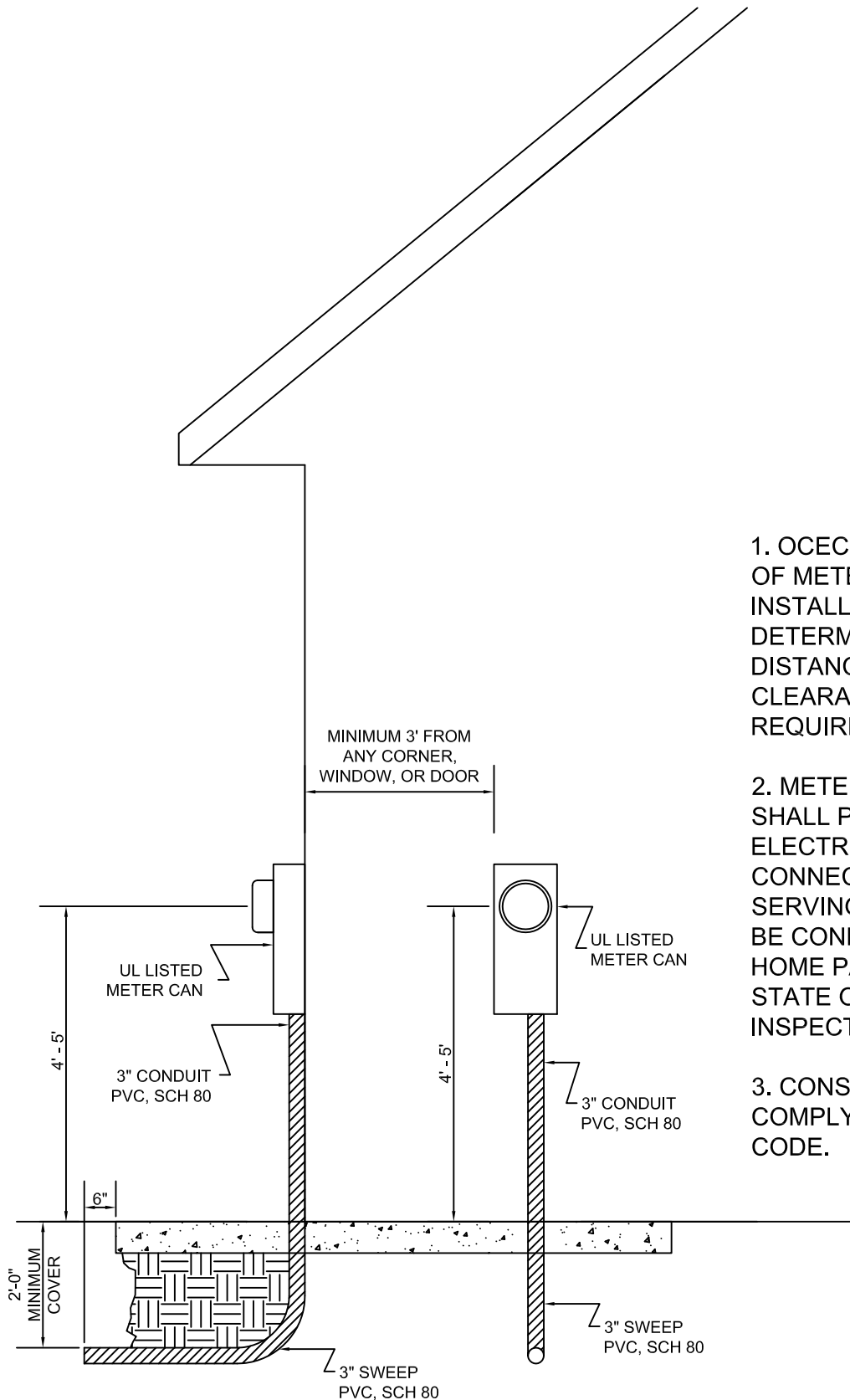
2. METER LOOP INSTALLATION SHALL PASS STATE OR LOCAL ELECTRICAL INSPECTION PRIOR TO CONNECTION.

3. METER LOOPS MAY NOT BE ATTACHED TO A MOBILE HOME WITHOUT ENGINEER'S APPROVAL.

4. CONSUMER FACILITIES SHALL COMPLY WITH NATIONAL ELECTRIC CODE.

OVERHEAD PERMANENT SINGLE-PHASE SERVICE CONNECTION
TO A PERMANENT BUILDING

OTERO COUNTY ELECTRIC COOPERATIVE
URD METER ON BUILDING SPEC SHEET



1. OCEC SHALL APPROVE LOCATION OF METER PEDESTAL PRIOR TO INSTALLATION. OCEC SHALL DETERMINE THE MAXIMUM SERVICE DISTANCE, WHICH WILL DEPEND ON CLEARANCE, CONDUCTOR REQUIREMENTS AND LOAD.

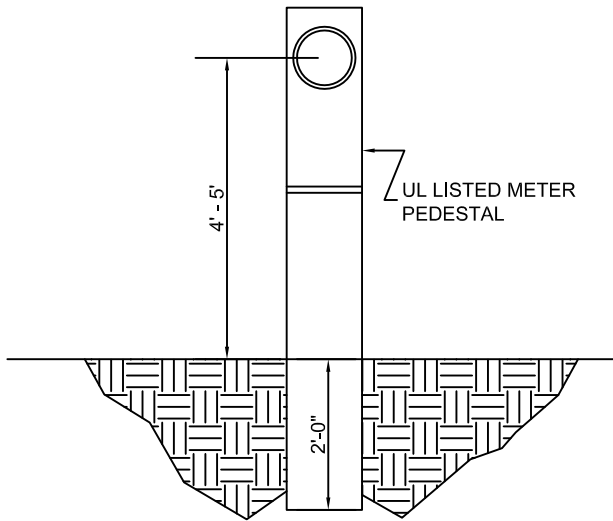
2. METER PEDESTAL INSTALLATION SHALL PASS STATE OR LOCAL ELECTRICAL INSPECTION PRIOR TO CONNECTION. METER PEDESTALS SERVING MOBILE HOMES WILL NOT BE CONNECTED UNTIL THE MOBILE HOME PASSES INSPECTION BY THE STATE OR LOCAL MOBILE HOME INSPECTOR.

3. CONSUMER FACILITIES SHALL COMPLY WITH NATIONAL ELECTRIC CODE.

UNDERGROUND PERMANENT
SINGLE-PHASE SERVICE

OTERO COUNTY ELECTRIC COOPERATIVE URD METER PEDESTAL SPEC SHEET

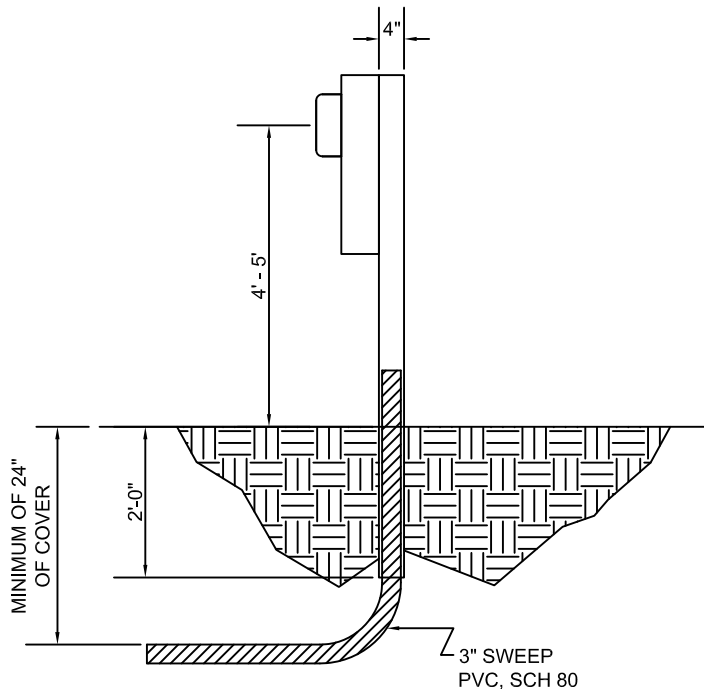
METER PEDESTAL SHALL NOT BE INSTALLED WITHIN 15' OF
CENTERLINE OF OCEC POWER LINES



1. OCEC SHALL APPROVE LOCATION OF METER PEDESTAL PRIOR TO INSTALLATION. OCEC SHALL DETERMINE THE MAXIMUM SERVICE DISTANCE, WHICH WILL DEPEND ON CLEARANCE, CONDUCTOR REQUIREMENTS AND LOAD.

2. METER PEDESTAL INSTALLATION SHALL PASS STATE OR LOCAL ELECTRICAL INSPECTION PRIOR TO CONNECTION. METER PEDESTALS SERVING MOBILE HOMES WILL NOT BE CONNECTED UNTIL THE MOBILE HOME PASSES INSPECTION BY THE STATE OR LOCAL MOBILE HOME INSPECTOR.

3. CONSUMER FACILITIES SHALL COMPLY WITH NATIONAL ELECTRIC CODE.



UNDERGROUND PERMANENT/TEMPORARY
SINGLE-PHASE SERVICE